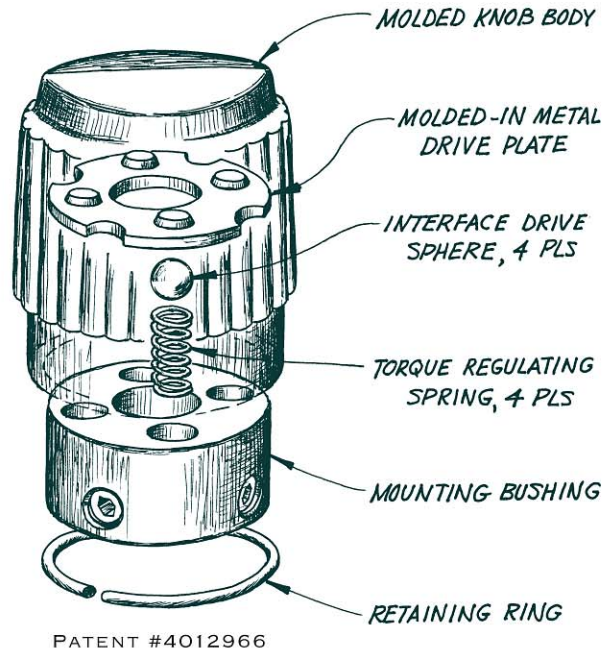


MS91528 QUALIFIED SLIP CLUTCH KNOB



Slip Clutch knob design utilizes a molded-in metal drive plate in conjunction with a spring loaded sphere mechanism which provides protection against over torquing and damage of the control/component.

- QPL approved for MS91528 styles
- Available sizes: .500, .700, .900, 1.250 and 1.750
- Series available: MS91528
- Available styles: Round, Pointer, Concentric, Tactile, Spinner and Bar Knobs (For dimensional information see MS91528 series, pages 48–51, in this catalog.)
- Clutch slip torques from:
 - 8 to 16 inch-ounces
 - 12 to 24 inch-ounces
 - 20 to 36 inch-ounces
 - 28 to 56 inch-ounces
 - 42 to 84 inch-ounces
 - 64 to 124 inch-ounces
- Slip torque based on size (diameter) of knob and style
- Special Slip Torque requirements are available
- Contact factory for information on your specific requirements

SOME OF THE STYLES AVAILABLE



Contact factory for other available styles.